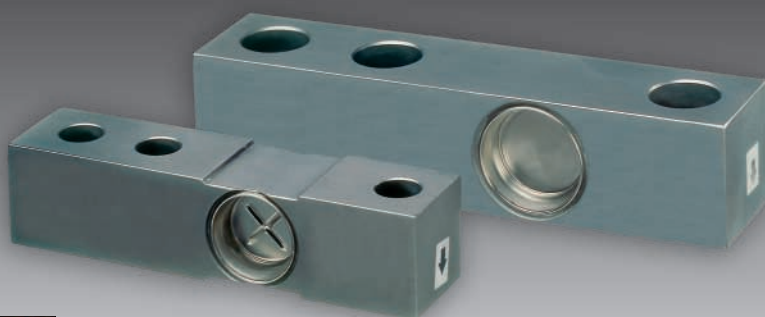




## MP 59, MP 59T

### Stainless Steel Shear Beam Load Cell



#### 500kg... 5t, Type N/C3/C3MR

- Full stainless steel construction
- Compatible with other sources
- Hermetically welded seal (IP68)
- Approved according to OIML R60
- Matched output
- Ex-Version available (MP59/...E, MP59T/...E)

#### Applications

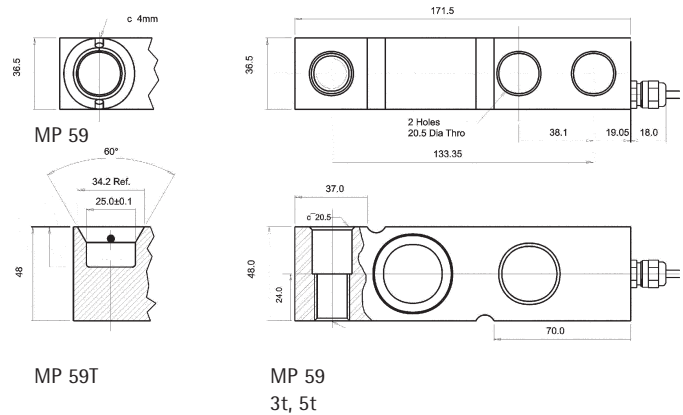
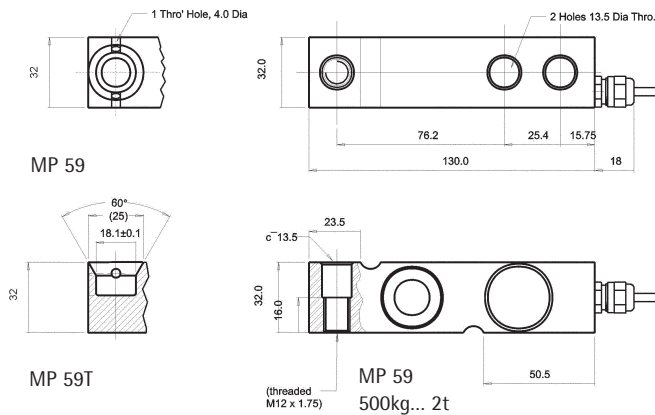
- Platform scales
- Tank & Hopper scales

Technical Data		N	C3	C3MR	
Accuracy class		0.03	0.02	0.02	% $E_{max}$
Maximum capacity	$E_{max}$	s. table	s. table	s. table	
Max. usable load	$E_u$	150	150	150	% $E_{max}$
Destructive load	$E_d$	> 300	> 300	> 300	% $E_{max}$
Minimum LC verification interval $v_{min} = E_{max}/Y$	Y	-	6,000	12,000	
Rated output	$C_n$	2.02	2.02	2.02	mV/V
Tolerance on rated output	$d_c$	≤ 0.099	≤ 0.099	≤ 0.099	% $C_n$
Zero output signal	$S_{min}$	≤ 1.98	≤ 1.98	≤ 1.98	% $C_n$
Creep, during 30min.	$d_{cr}$	≤ 0.025	≤ 0.0167	≤ 0.0125	% $C_n$
Temperature effect on $S_{min}$	$TK_{S_{min}}$	≤ 0.035	≤ 0.023	≤ 0.0116	% $C_n/10K$
Temperature effect on C	$TK_c$	≤ 0.014	≤ 0.010	≤ 0.010	% $C_n/10K$
Input impedance	$R_{LC}$	400 ± 20	400 ± 20	400 ± 20	Ω
Output impedance	$R_o$	355 ± 5	355 ± 5	355 ± 5	Ω
Insulation impedance	$R_{IS}$	> 5,000	> 5,000	> 5,000	MΩ
Recommended supply voltage	$B_u$	10	10	10	V
Maximum supply voltage	$U_{max}$	15	15	15	V
Nominal ambient temperature range	$B_T$	-10 to +40	-10 to +40	-10 to +40	° C
Usable ambient temperature range	$B_{Tu}$	-30 to +80	-30 to +80	-30 to +80	° C

## Technical Data

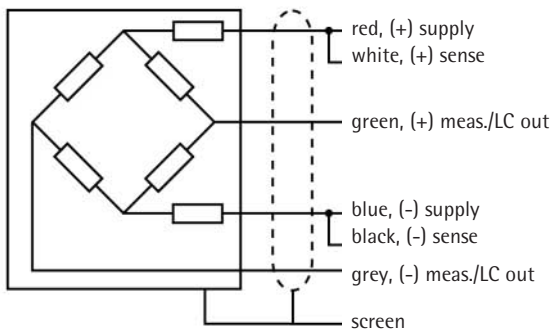
		N	C3	C3MR	
Nominal deflection	$s_{nom}$	$\leq 0.4$	$\leq 0.4$	$\leq 0.4$	mm
Cable length		5	5	5	m
Environmental protection		IP 68	IP 68	IP 68	

The technical data given here serve only as a product description and must not be interpreted as guaranteed characteristics in the legal sense.



Dimensions in mm

Dimensions in mm



## Certificate of conformity

Features: II 1GD T85°C EEx ia IIC T6, II 1GD T115°C EEx ia IIC T4  
Reg. Number: SIRA 04 ATEX 2143x

## Order number for ATEX load cells

9408 6.. ..  
e.g. MP59/1t C3 E = 9408 659 03210

## Order information

Type	Order number	Type	Order number	Type	Order number
MP59/500kg N	9408 259 01150	MP59/500kg C3	9408 259 03150	MP59/500kg C3MR	9408 259 07150
MP59/1t N	9408 259 01210	MP59/1t C3	9408 259 03210	MP59/1t C3MR	9408 259 07210
MP59/2t N	9408 259 01220	MP59/2t C3	9408 259 03220	MP59/2t C3MR	9408 259 07220
MP59/3t N	9408 259 01230	MP59/3t C3	9408 259 03230	MP59/3t C3MR	9408 259 07230
MP59/5t N	9408 259 01250	MP59/5t C3	9408 259 03250	MP59/5t C3MR	9408 259 07250
MP59T/500kg N	9408 259 11150	MP59T/500kg C3	9408 259 13150	MP59T/500kg C3MR	9408 259 17150
MP59T/1t N	9408 259 11210	MP59T/1t C3	9408 259 13210	MP59T/1t C3MR	9408 259 17210
MP59T/2t N	9408 259 11220	MP59T/2t C3	9408 259 13220	MP59T/2t C3MR	9408 259 17220
MP59T/3t N	9408 259 11230	MP59T/3t C3	9408 259 13230	MP59T/3t C3MR	9408 259 17230
MP59T/5t N	9408 259 11250	MP59T/5t C3	9408 259 13250	MP59T/5t C3MR	9408 259 17250