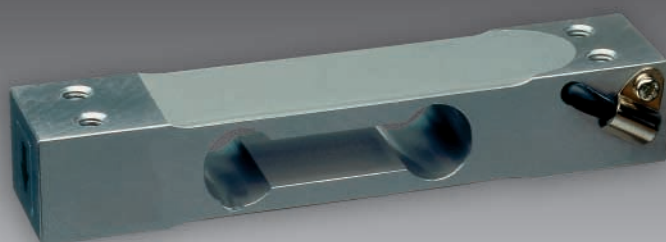




MP 50

Low Profile Single Point Load Cell



3kg... 35kg Type N/C3/C3MR

- Aluminium alloy construction
- Compatible with other sources
- Low profile type
- Single point 350 x 350mm platform
- Approved according to OIML R60

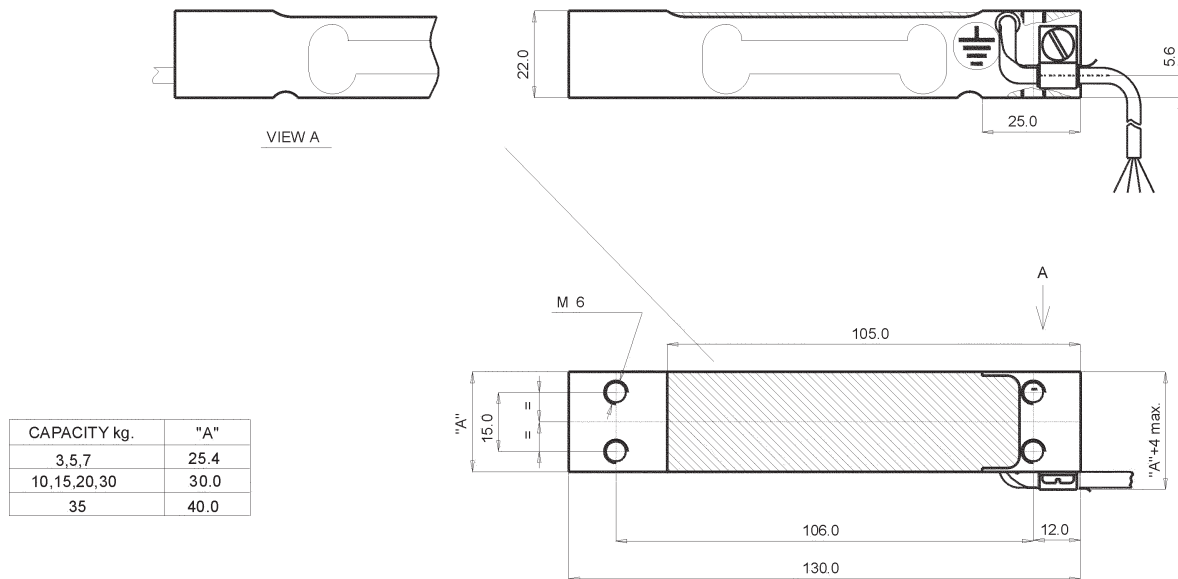
Applications

- Bench scales
- Counting scales
- Checkweigher

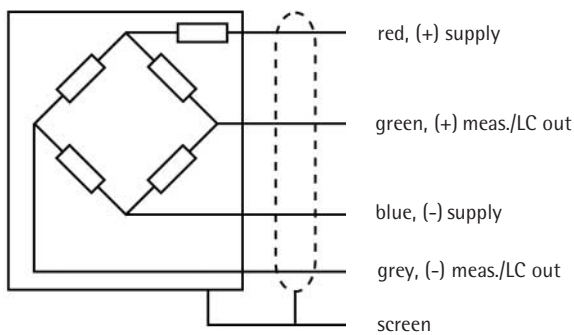
Technical Data		N	C3	C3MR	
Accuracy class		0.03	0.02	0.02	% E_{max}
Maximum capacity	E_{max}	s. table	s. table	s. table	
Max. usable load	E_u	150	150	150	% E_{max}
Destructive load	E_d	> 300	> 300	> 300	% E_{max}
Minimum LC verification interval $v_{min} = E_{max}/Y$	Y	-	6,000	12,000	
Rated output	C_n	2	2	2	mV/V
Tolerance on rated output	d_c	≤ 10	≤ 10	≤ 10	% C_n
Zero output signal	S_{min}	≤ 10	≤ 10	≤ 10	% C_n
Creep, during 30min.	d_{cr}	≤ 0.025	≤ 0.0167	≤ 0.0167	% C_n
Temperature effect on S_{min}	$TK_{S_{min}}$	≤ 0.06	≤ 0.023	≤ 0.0116	% $C_n/10K$
Temperature effect on C	TK_c	≤ 0.014	≤ 0.01	≤ 0.01	% $C_n/10K$
Input impedance	R_{LC}	415 ± 15	415 ± 15	415 ± 15	Ω
Output impedance	R_o	350 ± 3	350 ± 3	350 ± 3	Ω
Insulation impedance	R_{IS}	> 5,000	> 5,000	> 5,000	MΩ
Recommended supply voltage	B_u	10	10	10	V
Maximum supply voltage	U_{max}	15	15	15	V
Nominal ambient temperature range	B_T	-10 to +40	-10 to +40	-10 to +40	° C
Usable ambient temperature range	B_{Tu}	-30 to +70	-30 to +70	-30 to +70	° C

Technical Data		N	C3	C3MR	
Nominal deflection	s_{nom}	≤ 0.4	≤ 0.4	≤ 0.4	mm
Cable length		0.5	0.5	1.5	m
Environmental protection		IP 66	IP 66	IP 66	

The technical data given here serve only as a product description and must not be interpreted as guaranteed characteristics in the legal sense.



Dimensions all in mm



Order information

Type	Order number	Type	Order number	Type	Order number	Max. capacity (2mV/V)
MP50/3kg N	9408 250 01003	MP50/3kg C3	9408 250 03003	MP50/3kg C3MR	9408 250 07003	3kg
MP50/5kg N	9408 250 01005	MP50/5kg C3	9408 250 03005	MP50/5kg C3MR	9408 250 07005	5kg
MP50/7kg N	9408 250 01007	MP50/7kg C3	9408 250 03007	MP50/7kg C3MR	9408 250 07007	7kg
MP50/10kg N	9408 250 01010	MP50/10kg C3	9408 250 03010	MP50/10kg C3MR	9408 250 07010	10kg
MP50/15kg N	9408 250 01015	MP50/15kg C3	9408 250 03015	MP50/15kg C3MR	9408 250 07015	15kg
MP50/20kg N	9408 250 01020	MP50/20kg C3	9408 250 03020	MP50/20kg C3MR	9408 250 07020	20kg
MP50/30kg N	9408 250 01030	MP50/30kg C3	9408 250 03030	MP50/30kg C3MR	9408 250 07030	30kg
MP50/35kg N	9408 250 01035	MP50/35kg C3	9408 250 03035	MP50/35kg C3MR	9408 250 07035	35kg