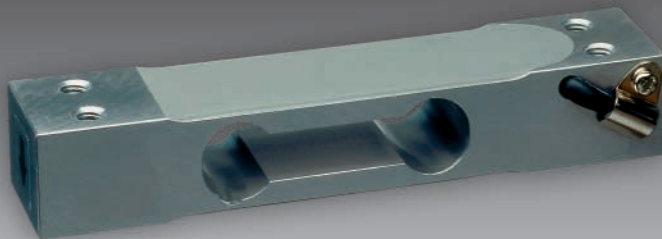




sartorius

MP 40

Low Profile Single Point Load Cell



1kg... 30kg Typ N/C3

- Aluminium alloy construction
- Compatible with other sources
- Low profile type
- Single point 300 x 300mm platform
- Approved according to OIML R60

Applications

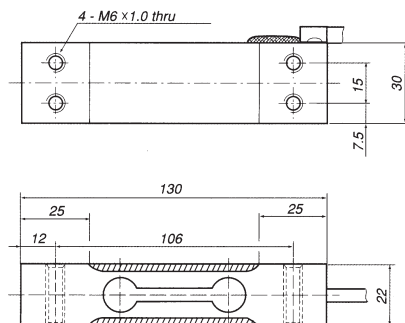
- Bench scales
- Counting scales
- Checkweigher

Technical Data		N	C3	
Accuracy class		0.03	0.02	%
Minimum dead load	E_{min}	0	0	% E_{max}
Rated capacity	E_{max}	s. table	s. table	
Safe overload	E_U	150	150	% E_{max}
Destructive load	E_d	> 300	> 300	% E_{max}
Minimum LC verification interval $v_{min} = E_{max}/Y$	Y	-	6,000	
Rated output (1kg, 2kg, 3kg)	C_n	1	-	mV/V
Rated output (6kg... 30kg)	C_n	2	2	mV/V
Tolerance on rated output	d_c	≤ 10	≤ 10	% C_n
Zero output signal	S_{min}	≤ 5	≤ 5	% C_n
Repeatability	ϵ_R	≤ 0.01	≤ 0.01	% C_n
Creep, during 30min.	d_{cr}	≤ 0.03	≤ 0.017	% C_n
Temperature effect on S_{min}	$TK_{S_{min}}$	≤ 0.03	≤ 0.023	% $C_n/10K$
Temperature effect on C	TK_c	≤ 0.014	≤ 0.011	% $C_n/10K$
Input impedance	R_{IC}	400 ± 20	400 ± 20	Ω
Output impedance	R_O	350 ± 3.5	350 ± 3.5	Ω
Insulation impedance	R_{IS}	> 2,000	> 2,000	M Ω
Recommended supply voltage	B_U	10	10	V

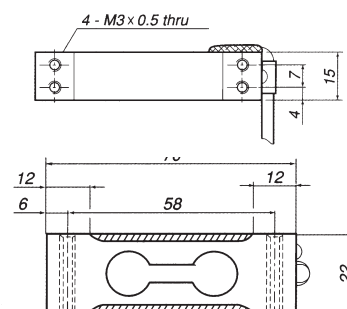
Technical Data		N	C3	
Maximum supply voltage	U_{max}	15	15	V
Nominal ambient temperature range	B_T	-10 to +40	-10 to +40	° C
Usable ambient temperature range	B_{TU}	-20 to +65	-20 to +65	° C
Nominal deflection	S_{nom}	≤ 0.4	≤ 0.4	mm
Cable	-	0.4m, 4 wires with screen	0.4m, 4 wires with screen	
Protection class	-	IP 65	IP 65	

The technical data given here serve only as a product description and must not be interpreted as guaranteed characteristics in the legal sense.

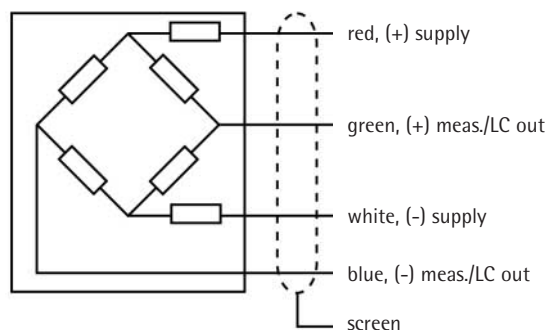
6kg, 10kg, 15kg, 20kg, 30kg, 4 - M6 x 1,0 thru



1kg, 2kg, 3kg (N only)



Dimensions all in mm



Order information

Type	Order number	Type	Order number	Max. capacity (1mV/V)	Max. capacity (2mV/V)
MP40/10 N	9408 800 40101			1kg	
MP40/20 N	9408 800 40201			2kg	
MP40/30 N	9408 800 40301			3kg	
MP40/60 N	9408 800 40601	MP40/60 C3	9408 800 40607		6kg
MP40/11 N	9408 800 40111	MP40/11 C3	9408 800 40117		10kg
MP40/16 N	9408 800 40161	MP40/16 C3	9408 800 40167		15kg
MP40/21 N	9408 800 40211	MP40/21 C3	9408 800 40217		20kg
MP40/31 N	9408 800 40311	MP40/31 C3	9408 800 40317		30kg